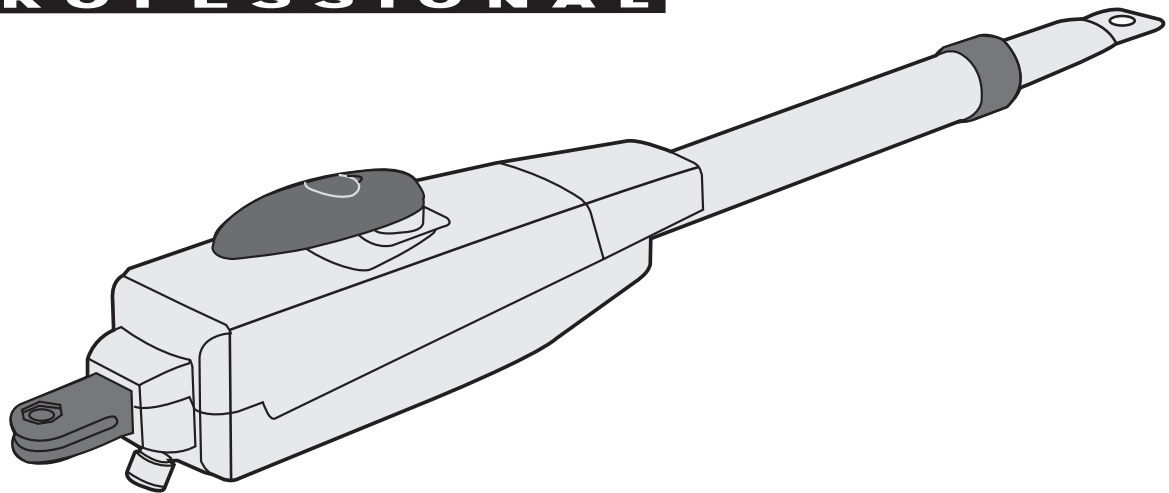


CHAMBERLAIN™

LiftMaster™

PROFESSIONAL



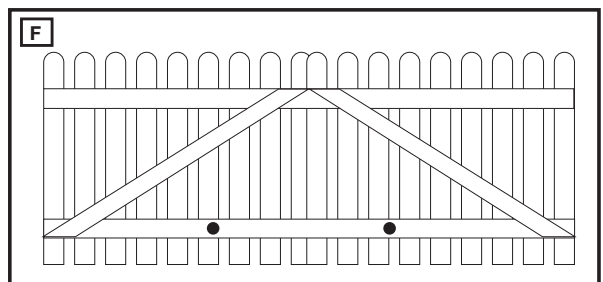
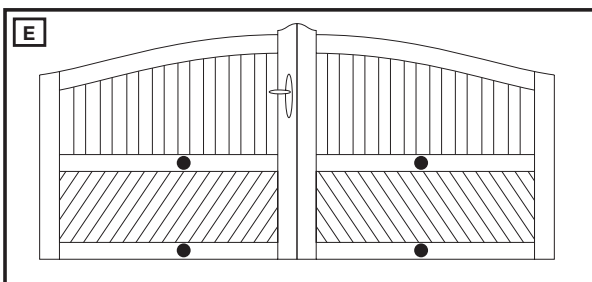
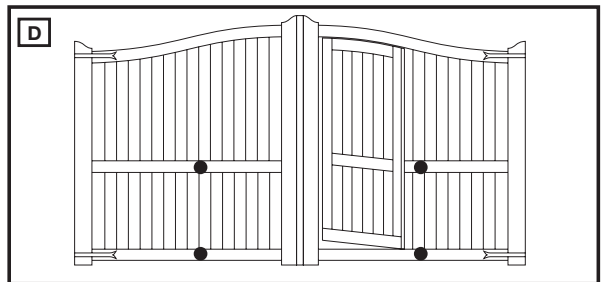
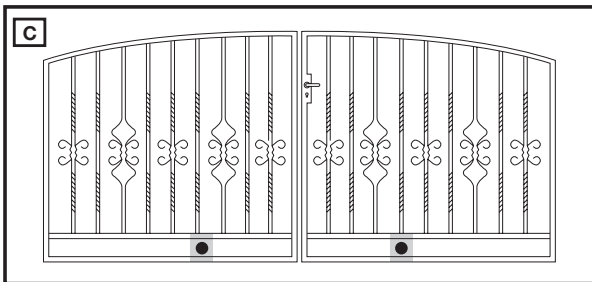
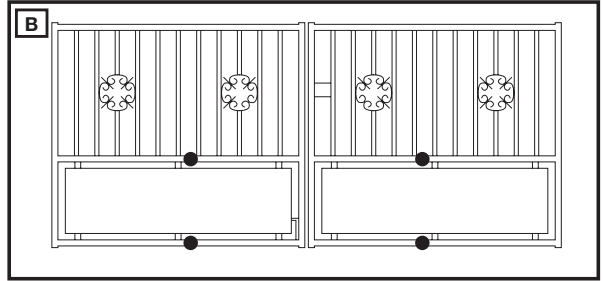
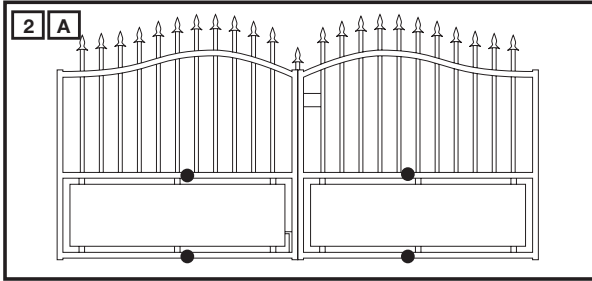
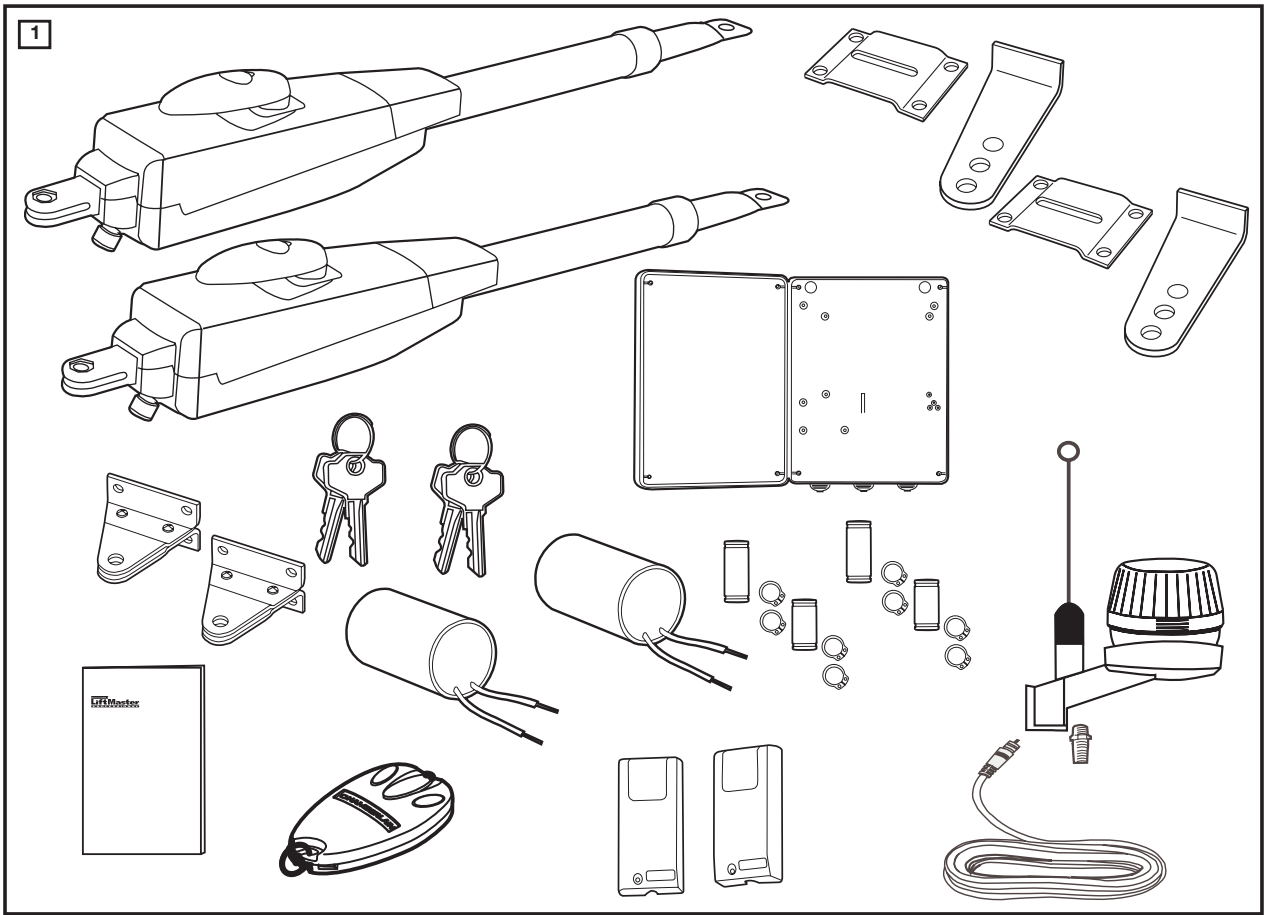
LYN300K
LYN300KS
LYN400K
LYN400KS

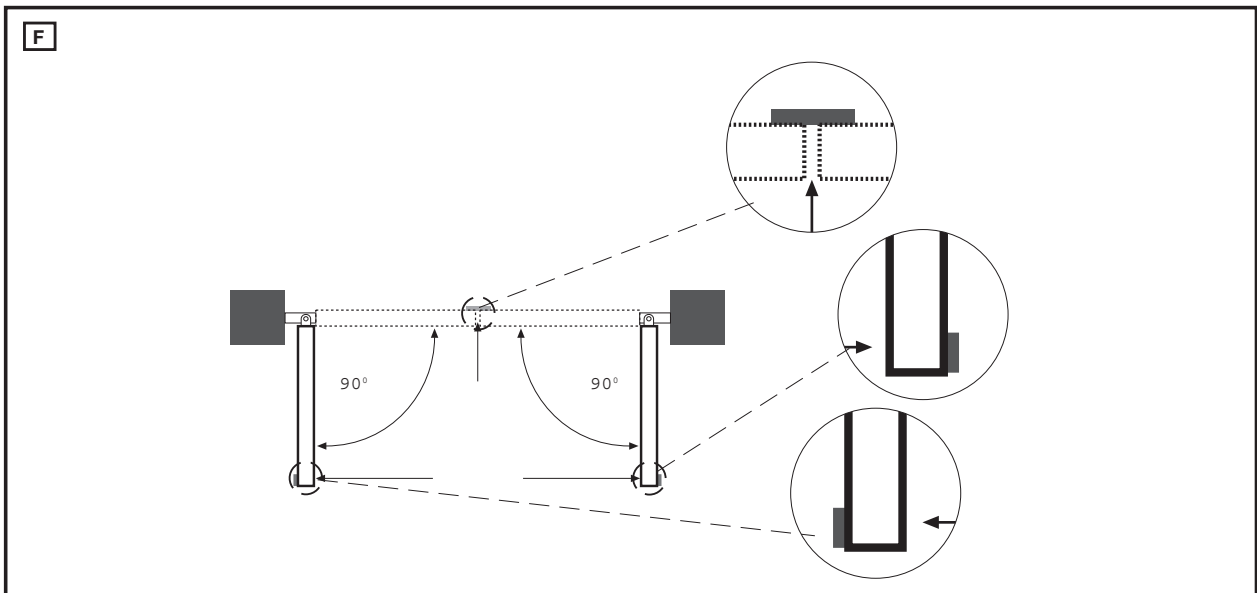
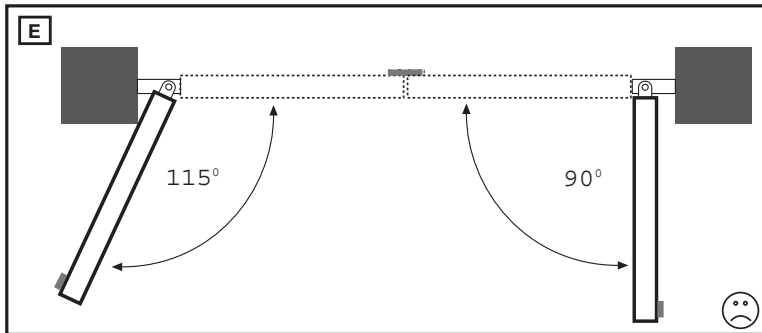
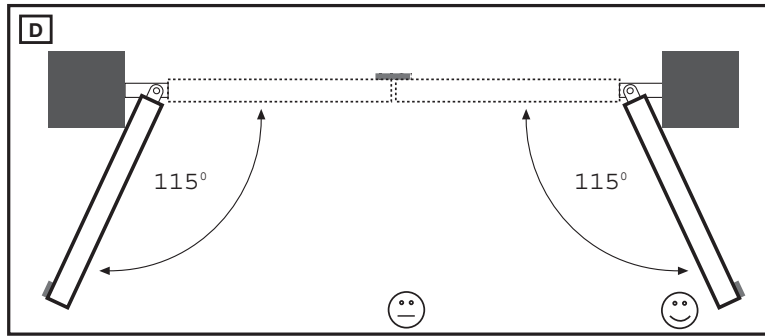
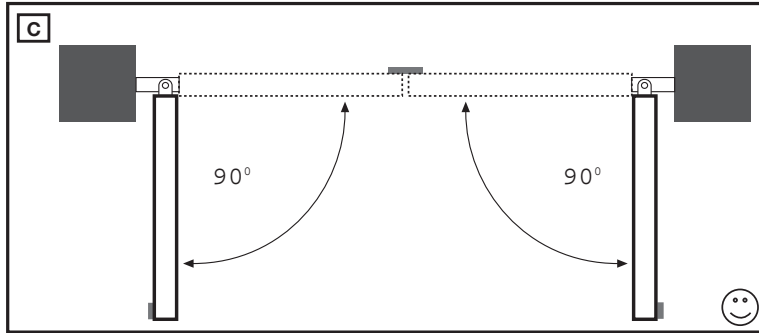
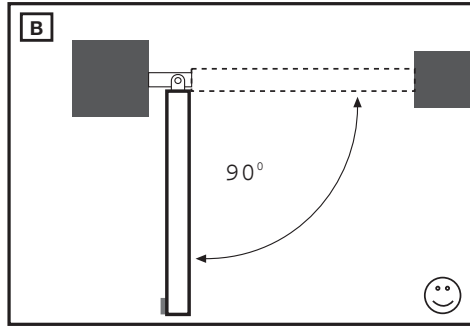
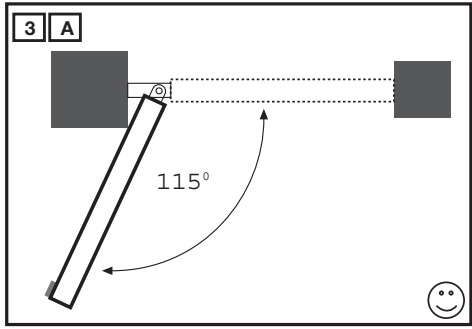
- INT** Int. Service (+49) 6838/907 172
- D** für Service 06838/907 172
- GB** for service (+44) 0845 602 4285
- F** pour service 03 87 95 39 28
- NL** voor service 020 684 7978

www.liftmaster.com
Email: info@chamberlain.com

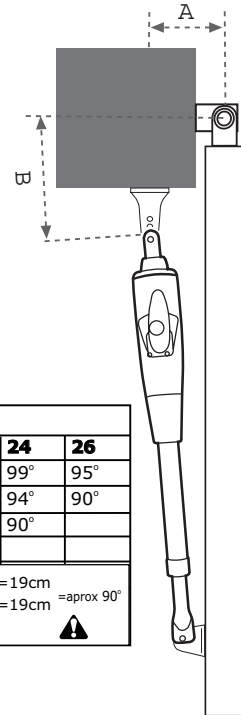
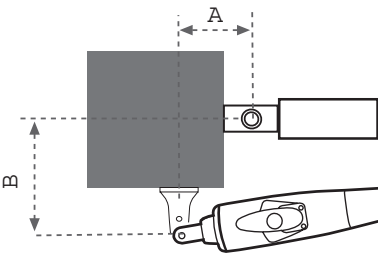
709225-C - Mai 2004







4 A



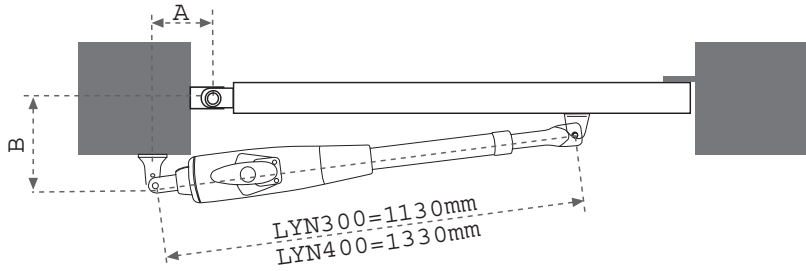
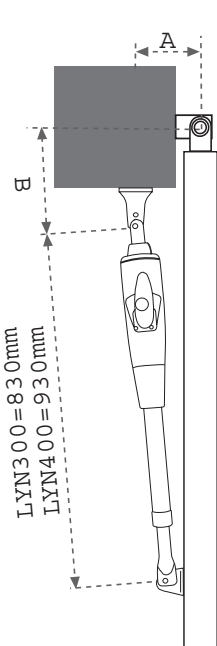
LYN300

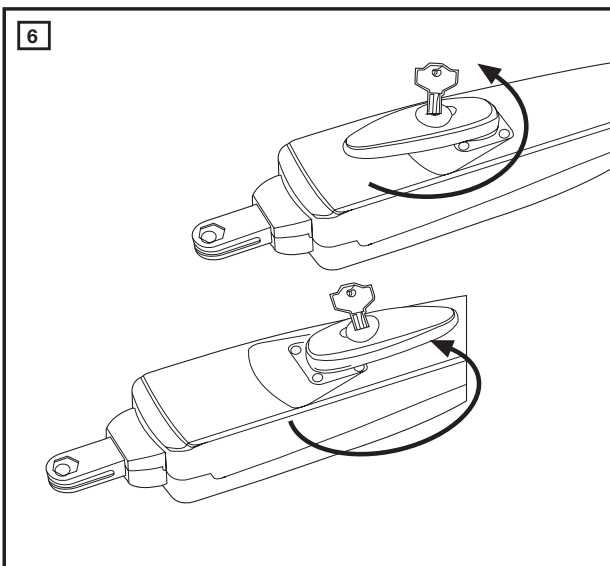
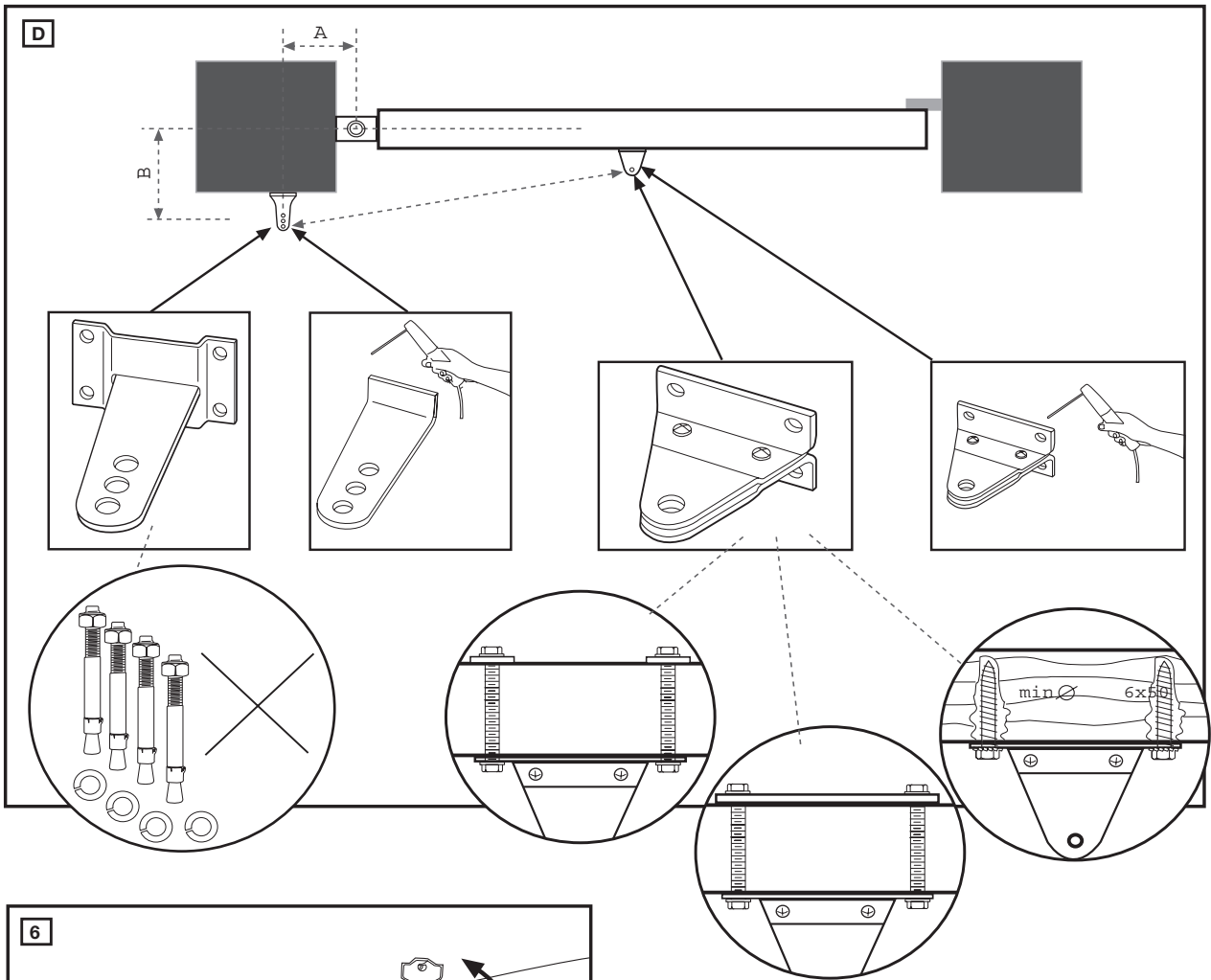
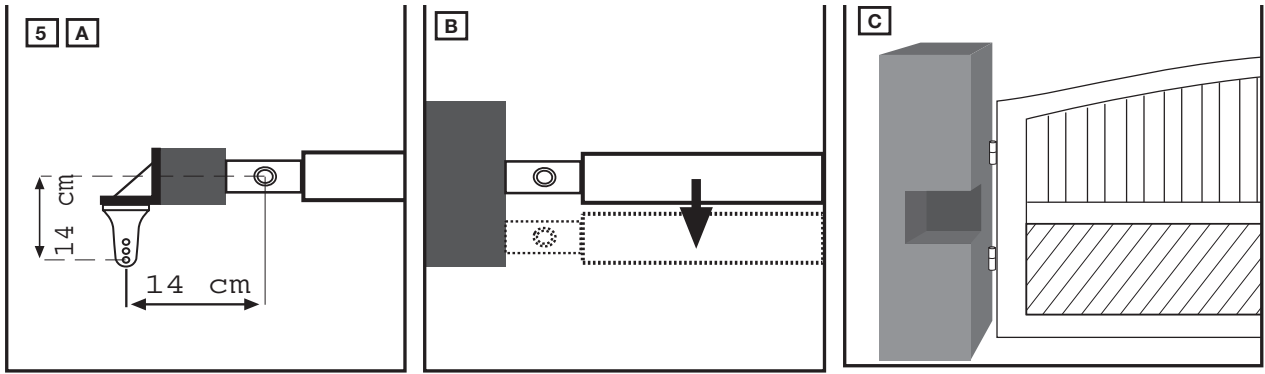
| | | A | | | | | | |
|---|----|----|------|------|------|------|------|-----------------------------|
| | | 10 | 12 | 14 | 16 | 18 | 20 | 22 |
| B | 10 | | 115° | | | | | |
| | 12 | | 110° | 121° | 110° | 105° | 100° | |
| | 14 | | 108° | 105° | 101° | 100° | 94° | |
| | 16 | | 106° | 95° | 93° | 100° | 92° | |
| | 18 | | | 93° | 87° | 87° | | |
| | 20 | | | | | | | A=15cm B=15cm =aprox 90° |
| | 22 | | | | | | | |

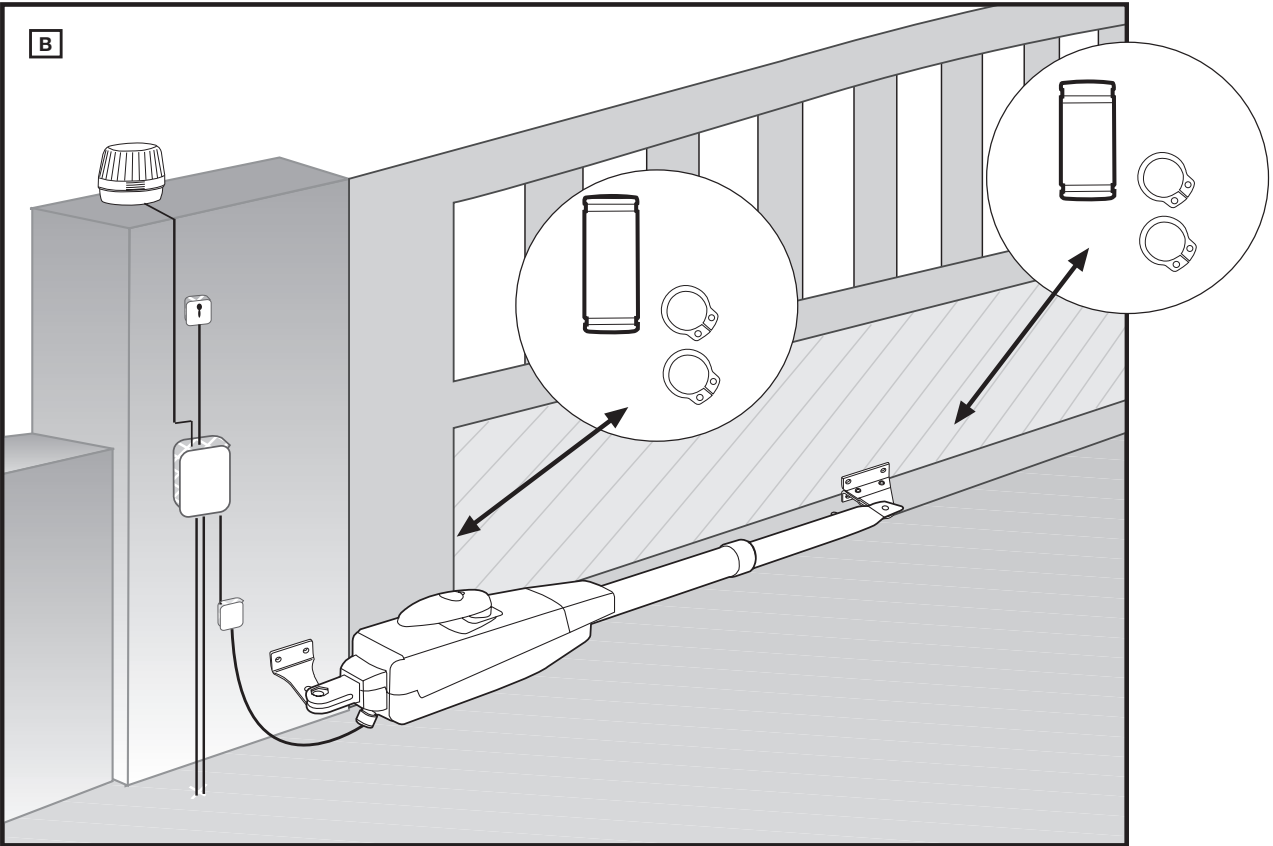
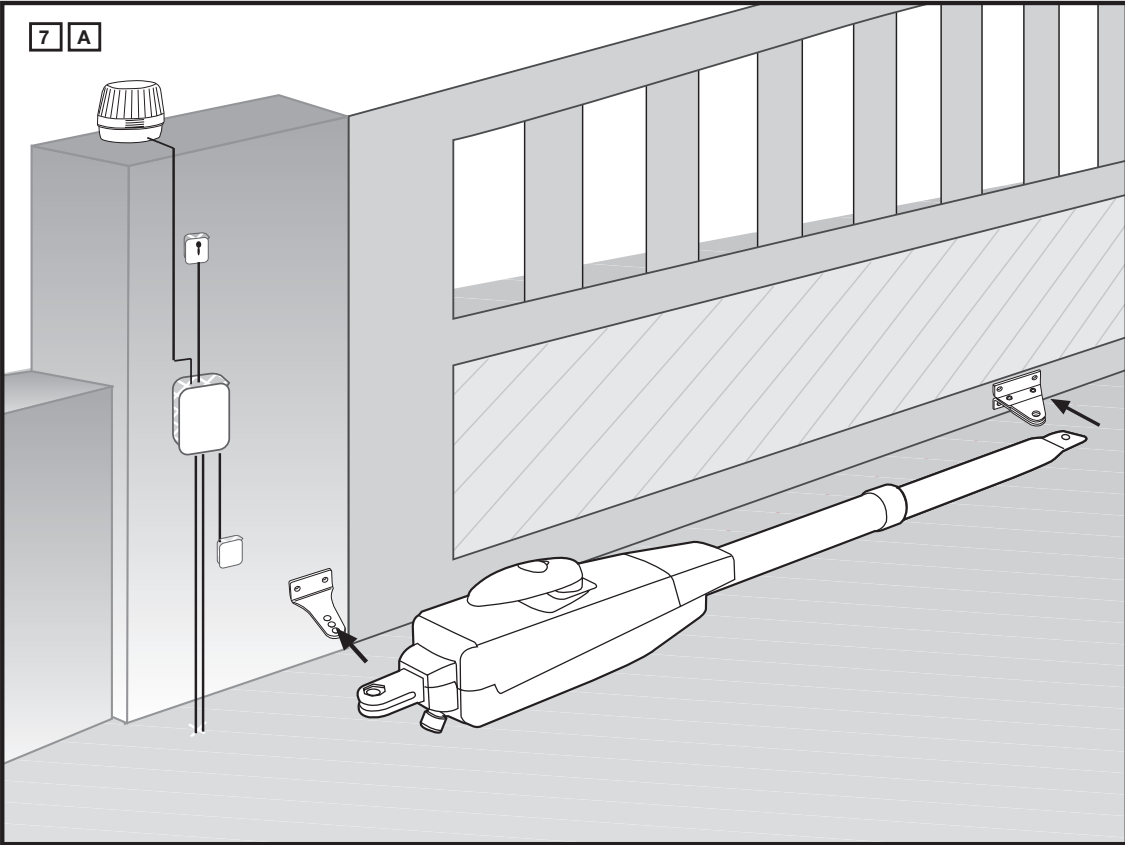
LYN400

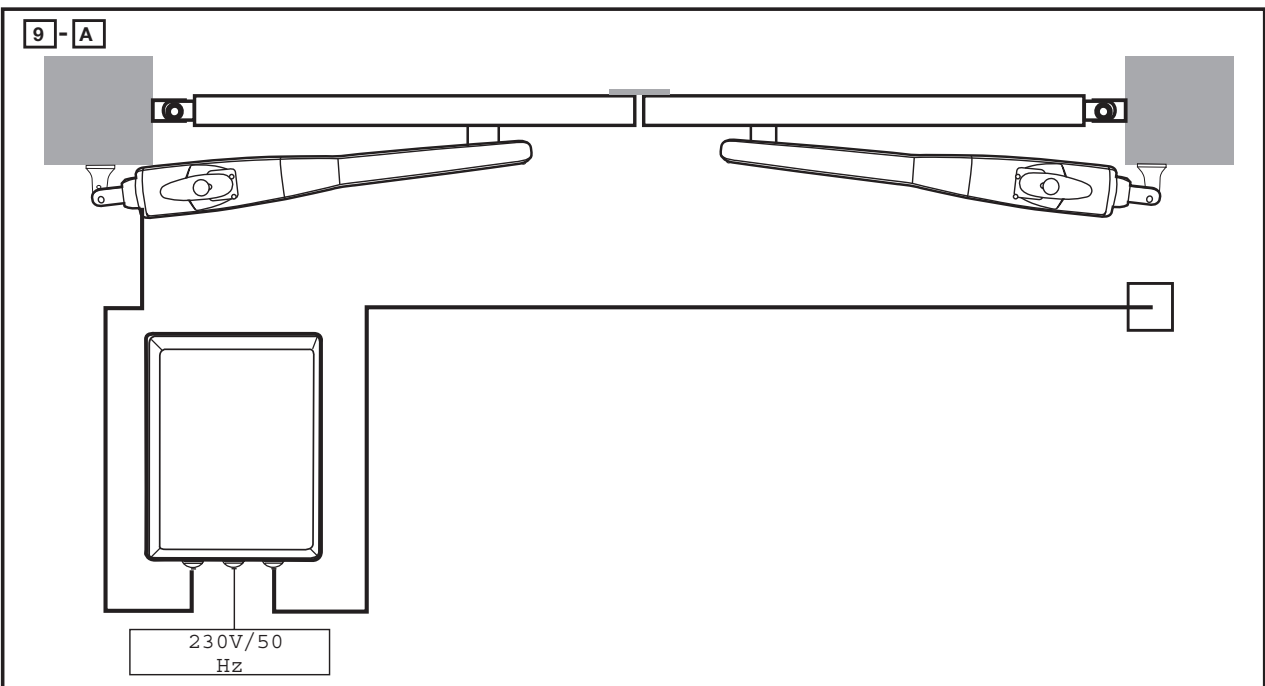
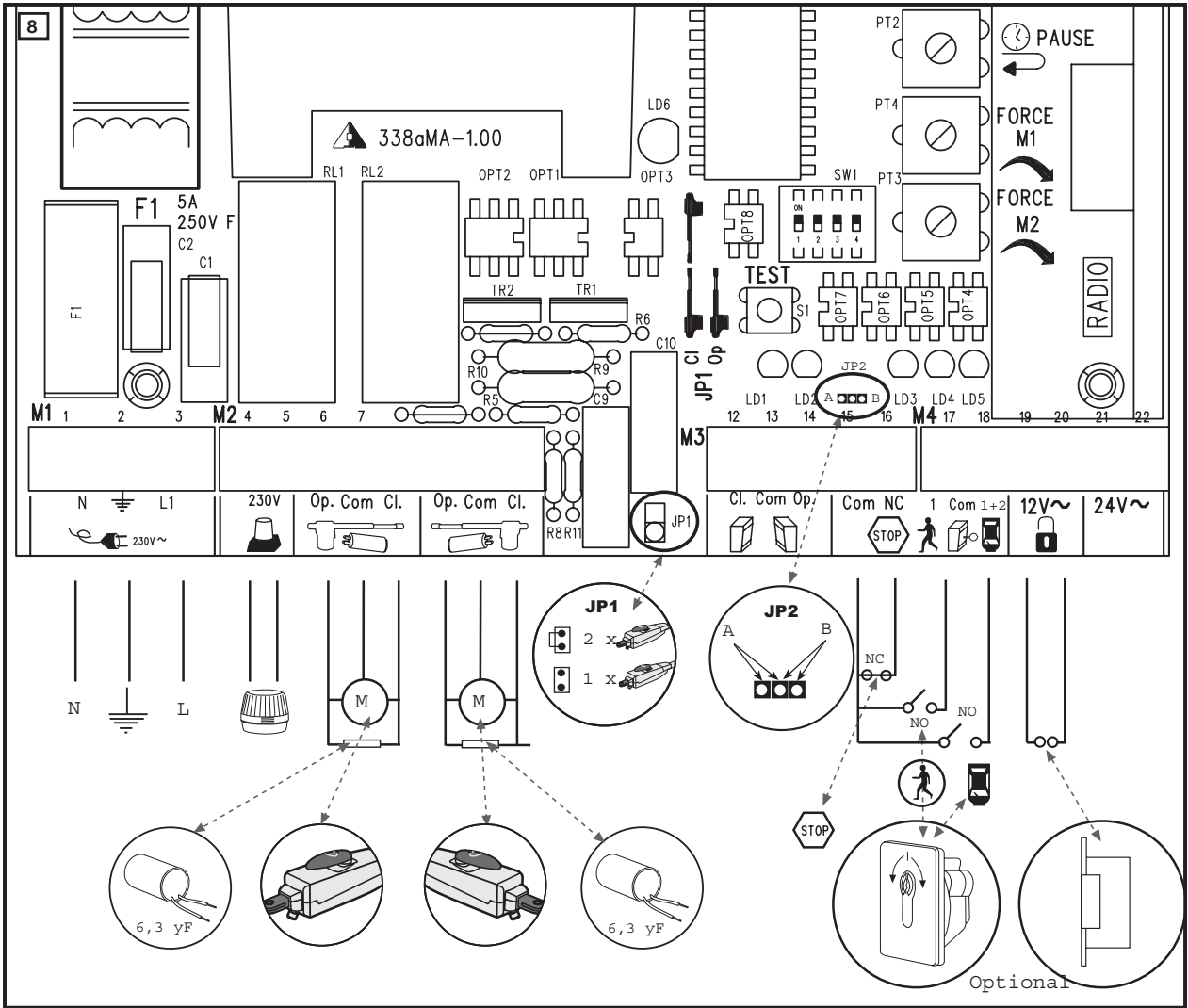
| | | A | | | | | | |
|---|----|------|------|------|------|----------|-----|-----------------------------|
| | | 14 | 16 | 18 | 20 | 22 | 24 | 26 |
| B | 14 | 105° | 120° | 125° | 111° | 105° | 99° | 95° |
| | 16 | 103° | 118° | 113° | 102° | 98° | 94° | 90° |
| | 18 | 111° | 115° | 105° | 97° | 93° | 90° | |
| | 20 | 109° | 103° | 96° | 90° | 87°/118° | | |
| | 22 | 106° | 95° | 90° | | | | |
| | 24 | 93° | | | | | | A=19cm B=19cm =aprox 90° |
| | 26 | | | | | | | |

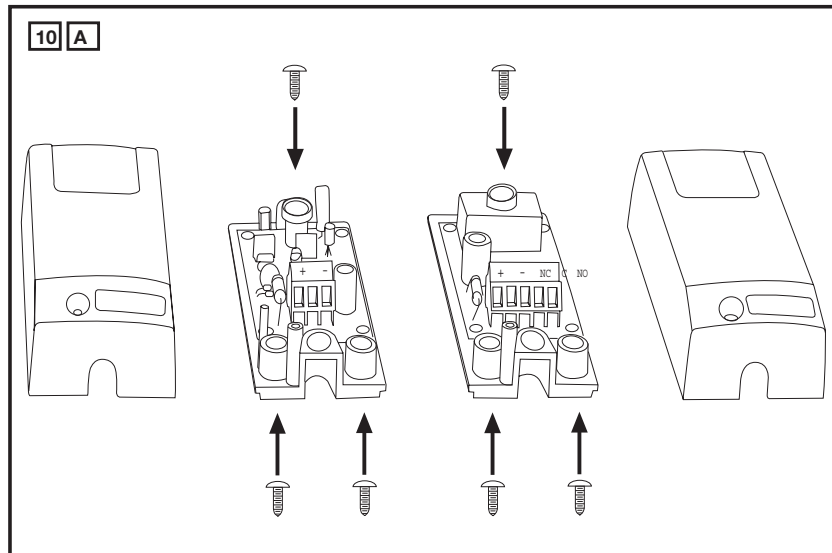
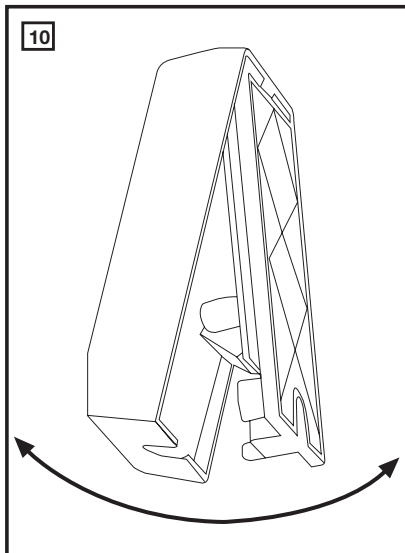
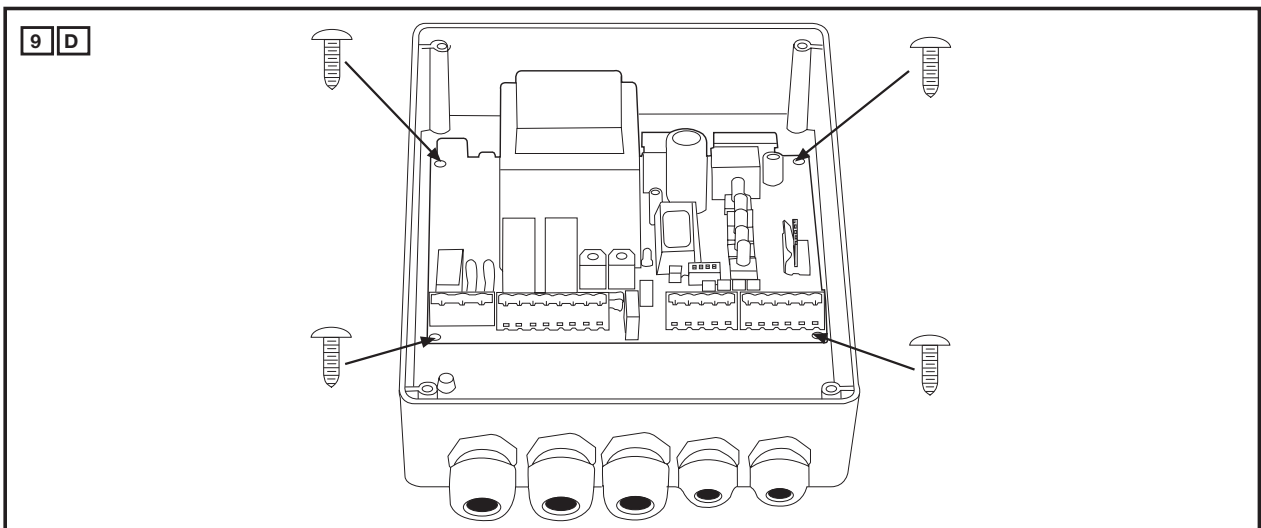
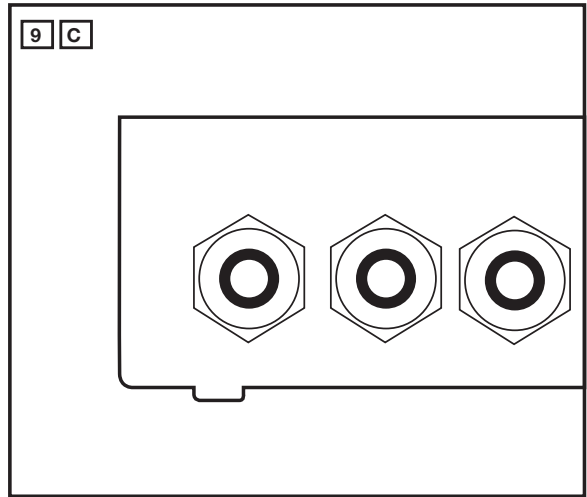
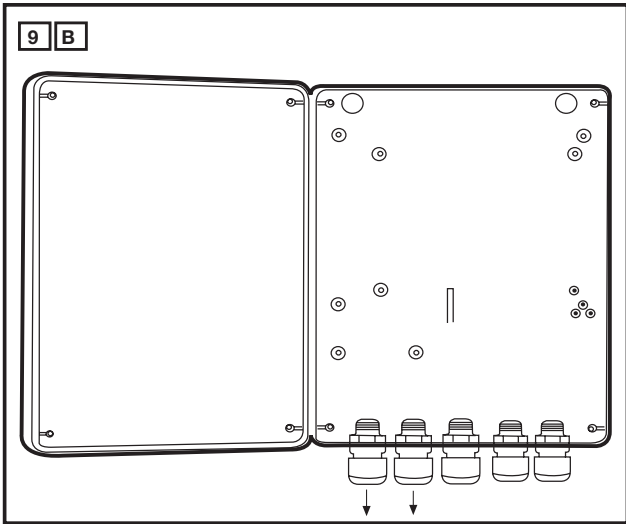
B





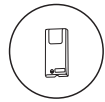






10 D

Optional = 4x



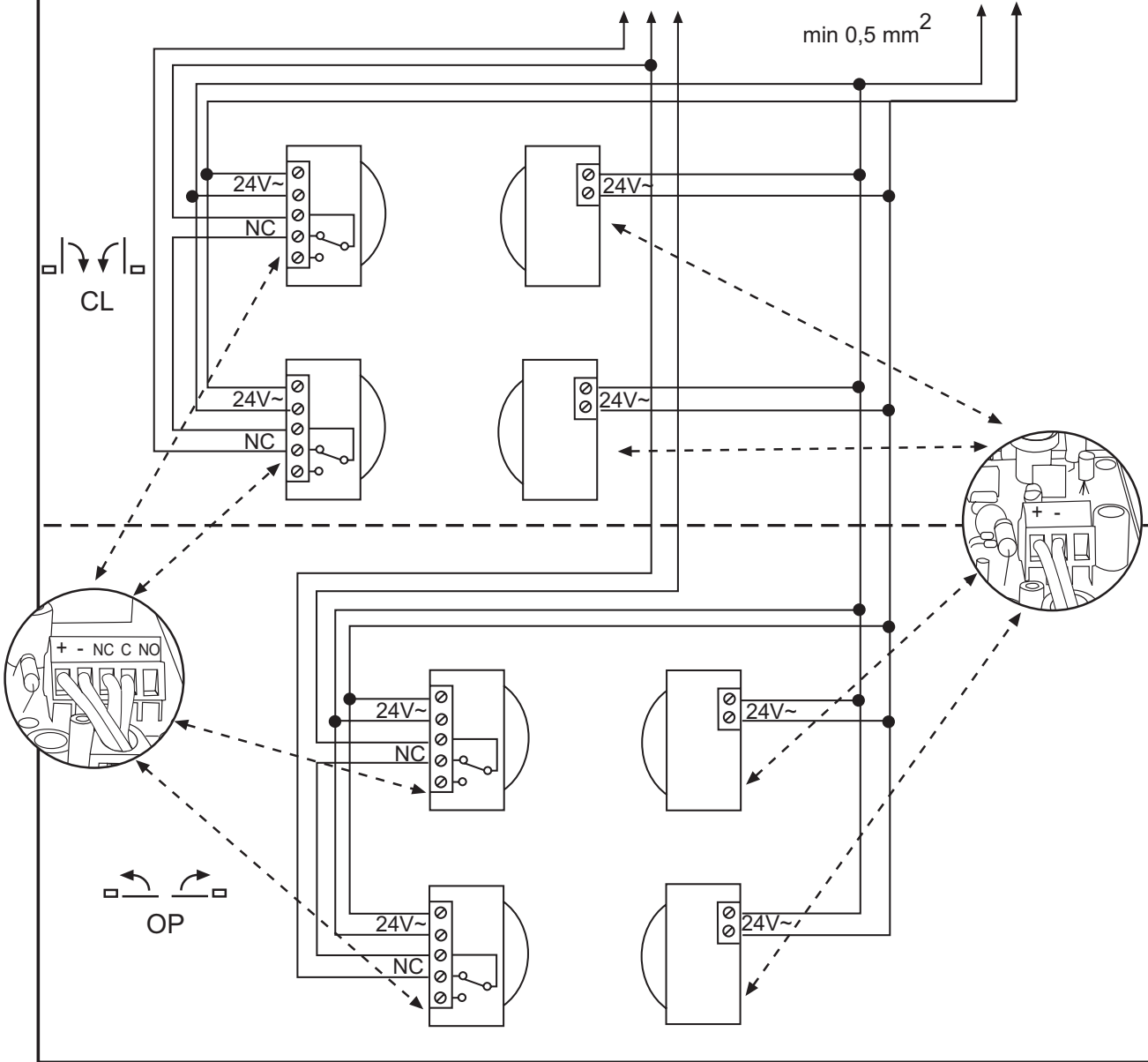
2x Aktiv



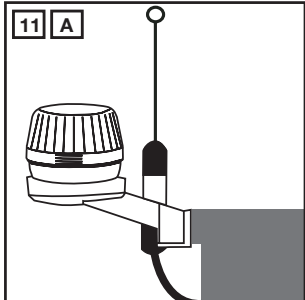
+ 2x Aktiv



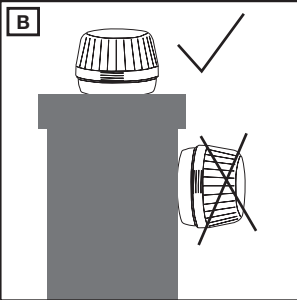
| | | | | | | | | | | | | | | | | | | | | | |
|---|----|------|-------------|-------------|---|-------------|--------|-----------|------|------|----|----|----|----|----|----|----|----|----|----|----|
| N | L1 | 230V | Op. Com Cl. | Op. Com Cl. | | Cl. Com Op. | Com NC | 1 Com 1+2 | 12V~ | 24V~ | | | | | | | | | | | |
| | | | | | | | | | | | | | | | | | | | | | |
| 1 | 2 | 3 | 4 | 5 | 6 | 7 | 8 | 9 | 10 | 11 | 12 | 13 | 14 | 15 | 16 | 17 | 18 | 19 | 20 | 21 | 22 |



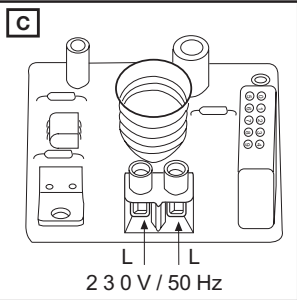
11 A



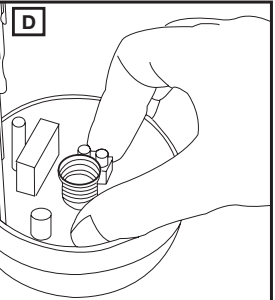
B



C

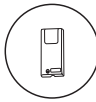


D



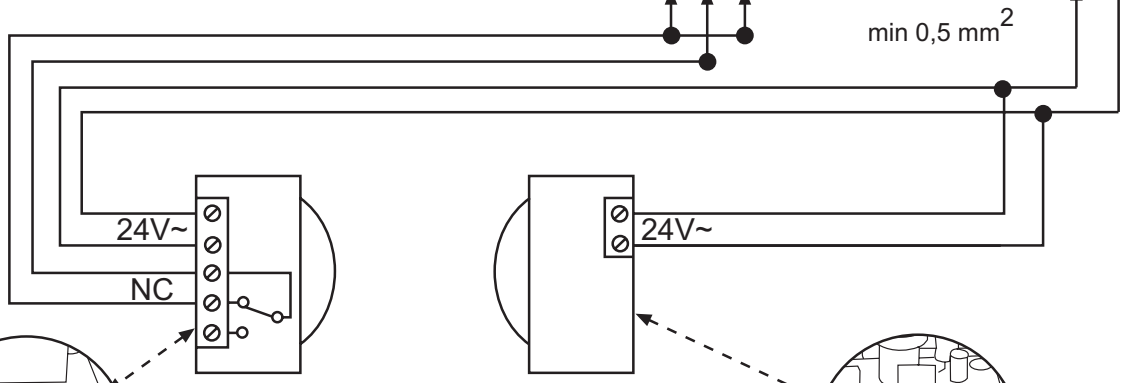
10 B

Standart = 1x

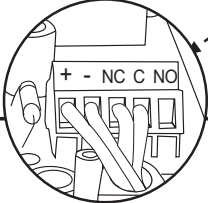


Aktiv

| | | | | | | | | | | | | | | | | | | | | | |
|---|----|------|-------------|-------------|---|-------------|--------|-----------|------|------|----|----|----|----|----|----|----|----|----|----|----|
| N | L1 | 230V | Op. Com Cl. | Op. Com Cl. | | Cl. Com Op. | Com NC | 1 Com 1+2 | 12V~ | 24V~ | | | | | | | | | | | |
| | | | | | | | | | | | | | | | | | | | | | |
| 1 | 2 | 3 | 4 | 5 | 6 | 7 | 8 | 9 | 10 | 11 | 12 | 13 | 14 | 15 | 16 | 17 | 18 | 19 | 20 | 21 | 22 |

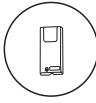


min 0,5 mm²



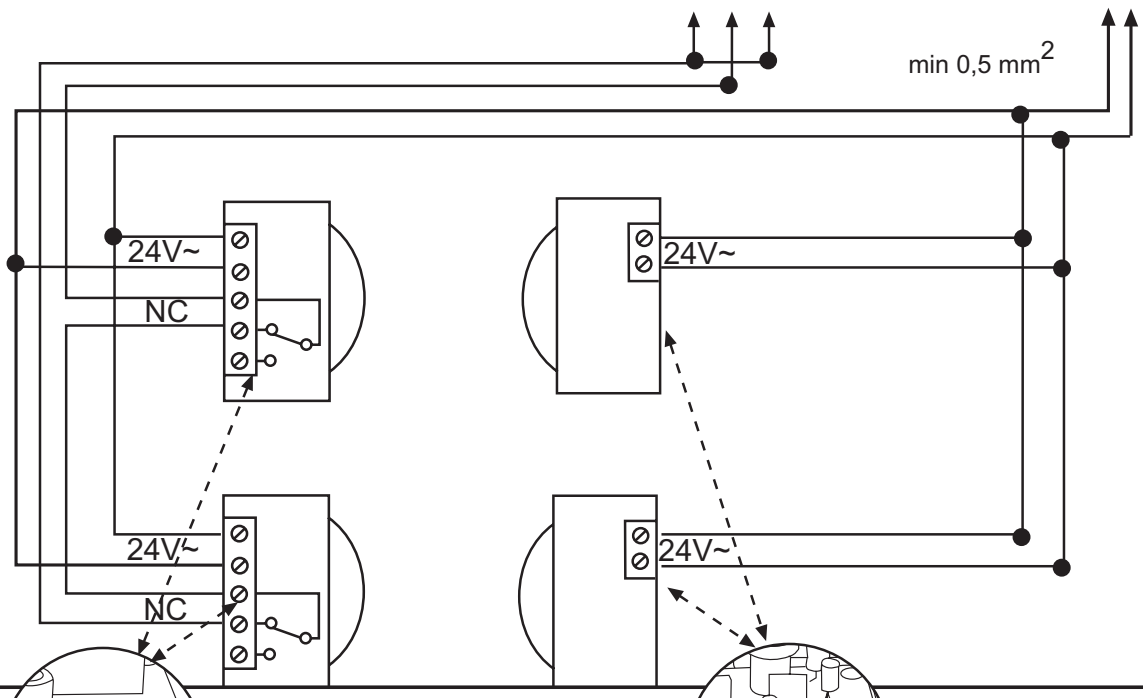
10 C

Optional = 2x



Aktiv

| | | | | | | | | | | | | | | | | | | | | | |
|---|----|------|-------------|-------------|---|-------------|--------|-----------|------|------|----|----|----|----|----|----|----|----|----|----|----|
| N | L1 | 230V | Op. Com Cl. | Op. Com Cl. | | Cl. Com Op. | Com NC | 1 Com 1+2 | 12V~ | 24V~ | | | | | | | | | | | |
| | | | | | | | | | | | | | | | | | | | | | |
| 1 | 2 | 3 | 4 | 5 | 6 | 7 | 8 | 9 | 10 | 11 | 12 | 13 | 14 | 15 | 16 | 17 | 18 | 19 | 20 | 21 | 22 |



min 0,5 mm²

